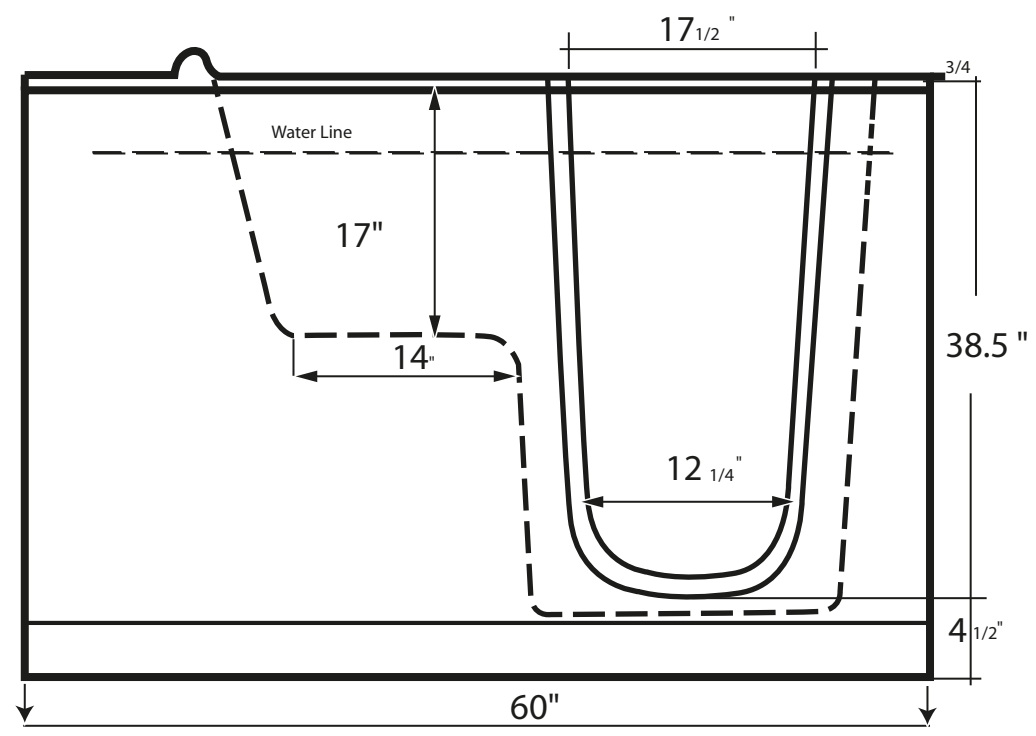
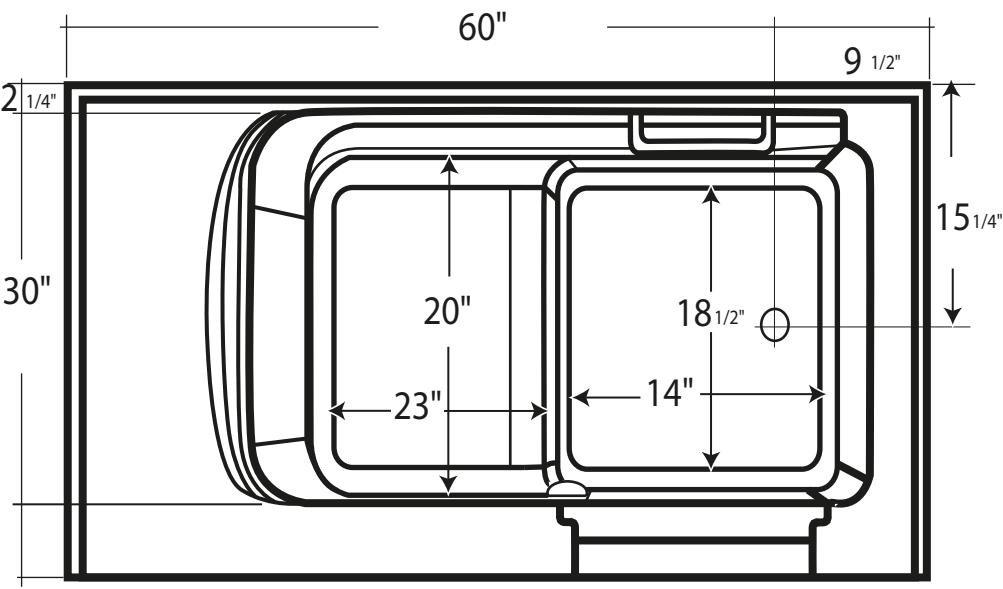


sanctuary

walk-in bathtubs



UNLESS OTHERWISE SPECIFIED:
 DIMENSIONS ARE IN INCHES
 TOLERANCES:
 FRACTIONAL: +/- 1/8"
 ANGULAR: +/- 1/2"
 TWO PLACE DECIMAL: xx = +/- 010
 THREE PLACE DECIMAL: xxx = +/- 005

TITLE: **WALKIN BATH TUB**

S 3060

CAPACITY/OPERATING LEVEL:	65 GAL	DATE	05/06/09	DWG. NO.	REV
	APROX. UNIT WEIGHT:	175 Lbs	DRAWN		
	APROX. SHIPPING WEIGHT:	210 Lbs	CHECKED	JH	SCALE: 1:1

