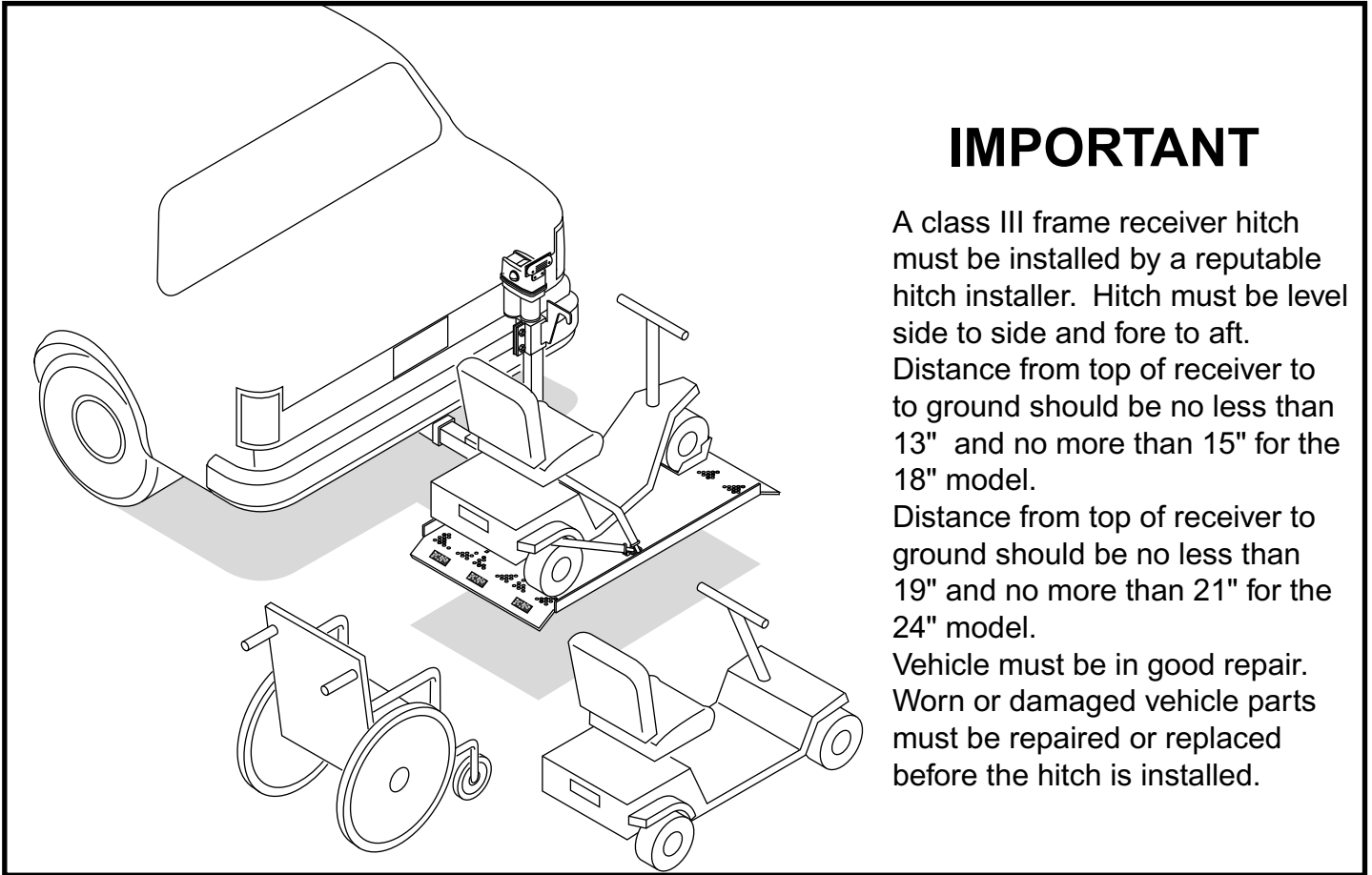


OWNER'S MANUAL MOBILE LIFT:

18" MODELS-(19675 & 24565) OR 24" MODELS-(20565, 24570, & 24770)
INSTALLATION AND OPERATION INSTRUCTIONS -SERVICE AND PARTS INFORMATION



IMPORTANT

A class III frame receiver hitch must be installed by a reputable hitch installer. Hitch must be level side to side and fore to aft.

Distance from top of receiver to ground should be no less than 13" and no more than 15" for the 18" model.

Distance from top of receiver to ground should be no less than 19" and no more than 21" for the 24" model.

Vehicle must be in good repair. Worn or damaged vehicle parts must be repaired or replaced before the hitch is installed.

CONTENTS OF CARTON:

PART#	QTY.	DESCRIPTION	PART#	QTY.	DESCRIPTION
23612	1	HARDWARE PACKAGE OR	20078	1	PLATFORM OR
24571	1	18"& 24" BALL MOUNT HARDWARE PKG.	24784	1	BIG TRAY PLATFORM
20065	1	SUPPORT WELDMENT OR	19520	2	PLASTIC GUARD
24780	1	BIG TRAY SUPPORT WELDMENT	25865	1	ACTUATOR 24" OR
19494	1	HITCH WELDMENT	25862	1	ACTUATOR 18"
19513	2	WHEEL STOP			

TOOLS NEEDED:

1. SCREW DRIVER (PHILLIPS AND FLAT HEAD)
2. WIRE STRIPPERS AND CRIMPERS
3. 1/4", 3/8", 1/2", 5/8", AND 3/4" SOCKETS OR WRENCHES
4. UTILITY KNIFE
5. GLUE, 3M 51135-08001 OR EQUIVALENT



Warning

READ AND UNDERSTAND INSTALLATION INSTRUCTIONS
VEHICLE MUST BE IN SAFE PARKED CONDITION

IGNITION SWITCH MUST BE IN "LOCK" POSITION
REMOVE JEWELRY (WATCHES, RINGS, ETC.)



BURR ENGINEERING COMPANY
730 E. MICHIGAN AVENUE- P.O. BOX 460
BATTLE CREEK, MICHIGAN 49016-0460
1-800-537-9940 (U.S.)
©COPYRIGHT BURR ENGINEERING COMPANY 1992

PAGE:	DATE:	FORM #:
1 OF 12	10 AUG 04	20803
REVISION LETTER:	ECN#:	APPROVED:
C	12355	

OWNER'S MANUAL MOBILE LIFT



Warning

MAXIMUM WEIGHT: 300 LBS.

If maximum weight is exceeded, the design modified, or the unit is installed in a way contrary to manufacturer's instructions the warranty is void and catastrophic failure may occur. This could result in serious injury or death.

INSTALLATION INSTRUCTIONS:

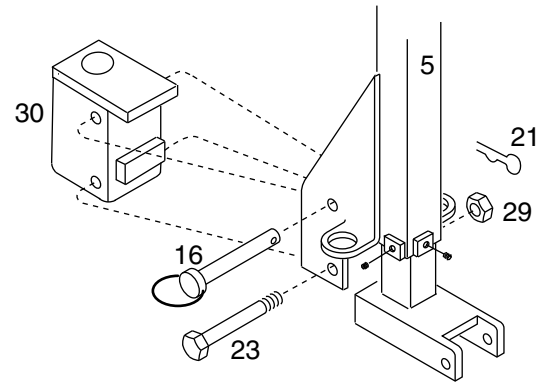
1. INSTALL CUSTOMER ASSEMBLED MOUNT:

LOOSELY FASTEN MOUNTING PARTS TO POST ASSEMBLY

FASTEN HITCH WELDMENT (30) TO POST ASSEMBLY (5) WITH BOLT (23), LOCKNUT (29), CLEVIS PIN (16), AND COTTER PIN (21).

IMPORTANT:

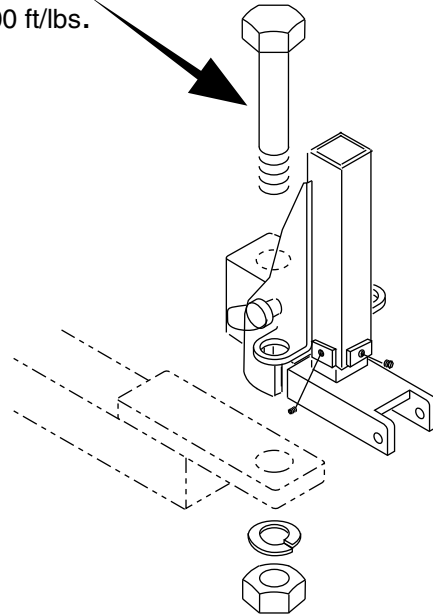
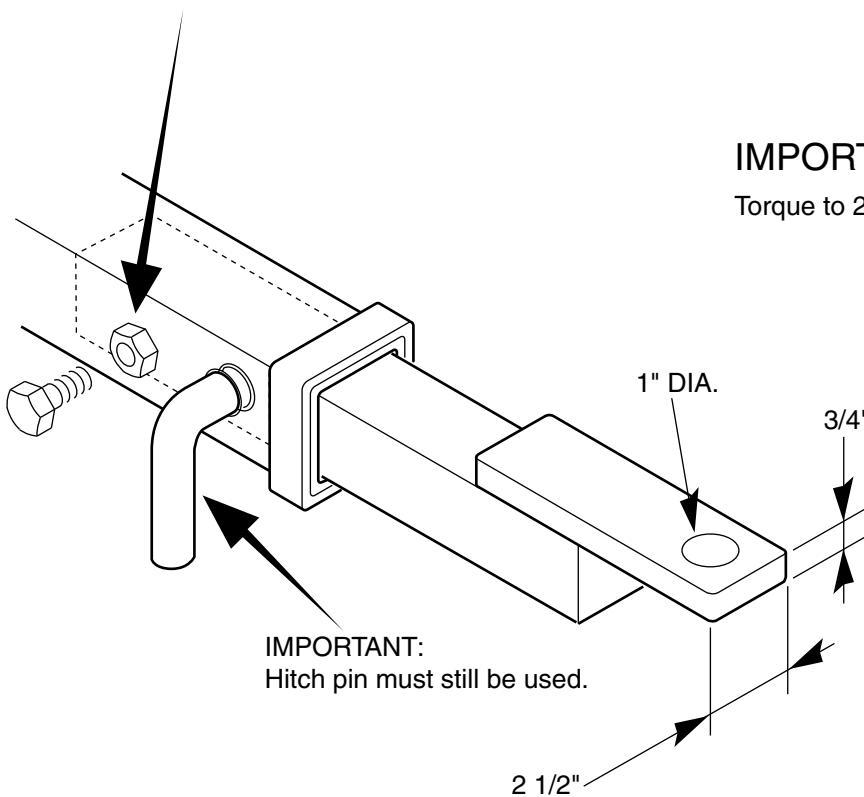
If it is necessary to eliminate any wobble between the tongue and receiver. Drill a 9/16" hole on the side of the receiver and weld a 1/2" nut over the bolt. Screw a 1/2" x 1/2" bolt into the nut and tighten.



BALL MOUNT

IMPORTANT:

Torque to 200 ft/lbs.



2. FASTEN LIFT ASSEMBLY TO CLASS III RECEIVER HITCH (CUSTOMER SUPPLIED)

SLIDE ASSEMBLY UNTO HITCH. FASTEN ASSEMBLY TO HITCH WITH BOLT (31), LOCKWASHER (32), AND HEX NUT (33), TIGHTEN ALL FASTENERS. ASSEMBLY MUST PIVOT ON BOLT (23)- WITH CLEVIS PIN REMOVED - DO NOT OVERTIGHTEN IT.



BURR ENGINEERING COMPANY
730 E. MICHIGAN AVENUE- P.O. BOX 460
BATTLE CREEK, MICHIGAN 49016-0460
1-800-537-9940 (U.S.)
©COPYRIGHT BURR ENGINEERING COMPANY 1992

PAGE:	DATE:	FORM #:
2 OF 12	10 AUG 04	20803
REVISION LETTER:	ECN#:	APPROVED:
C	12355	

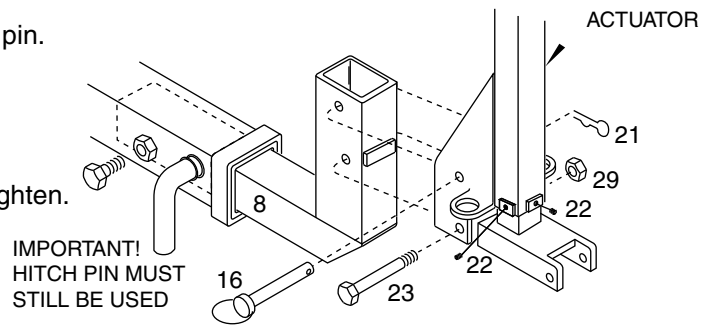
OWNER'S MANUAL MOBILE LIFT

1. INSTALL WELDED MOUNT:

Put hitch weldment (8) into class III receiver and fasten with hitch pin.

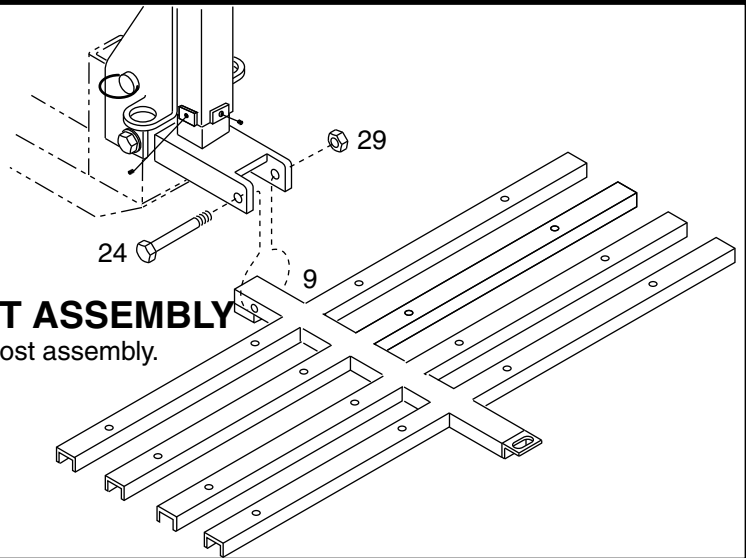
IMPORTANT:

If it is necessary to eliminate any wobble between the tongue and receiver. Drill a 9/16" hole on the side of the receiver and weld a 1/2" nut over the hole. Screw a 1 1/2" x 1/2" bolt into the nut and tighten.



2. FASTEN ACTUATOR TO HITCH WELDMENT:

Slide actuator onto hitch weldment (8). Fasten actuator to hitch weldment with bolt (23), hex nut (29), clevis pin (16), and cotter pin (21). Set screw (22) tightens for reduced wobble.

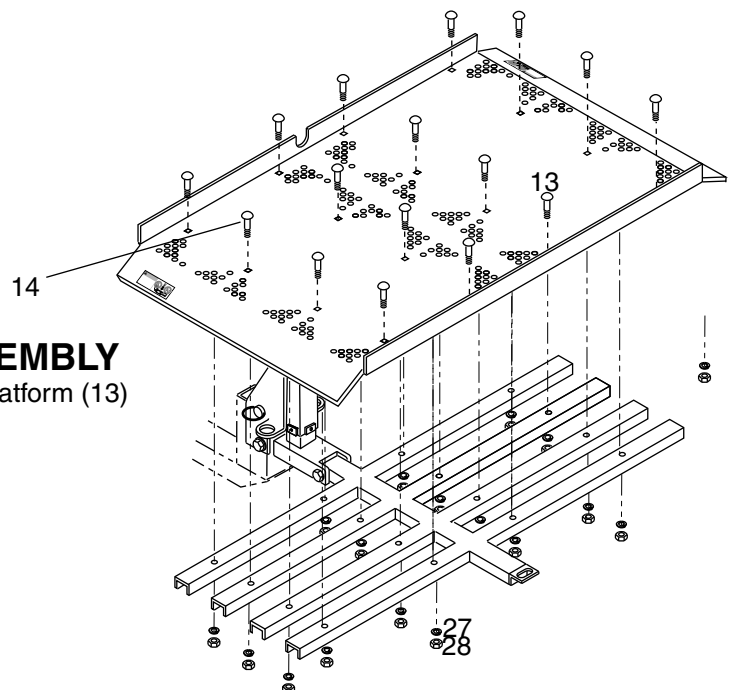


3. FASTEN SUPPORT WELDMENT TO POST ASSEMBLY

With bolt (24) and locknut (29) fasten support weldment (9) to post assembly. Assembly must pivot on bolt (24) DO NOT over tighten it.

4. FASTEN PLATFORM TO SUPPORT ASSEMBLY

With bolt (14) and lockwashers (27) and hex nuts (28) fasten platform (13) to support assembly.



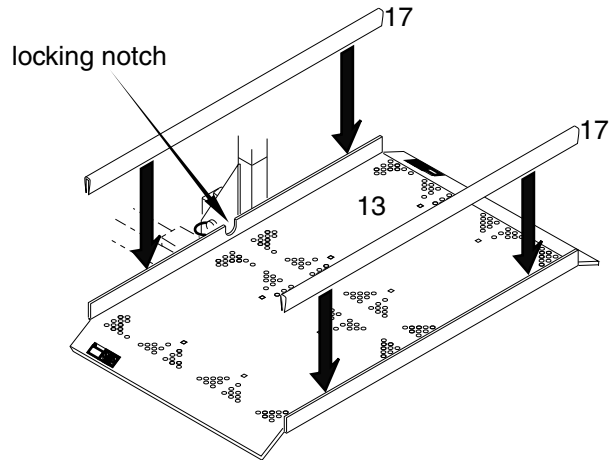
BURR ENGINEERING COMPANY
730 E. MICHIGAN AVENUE- P.O. BOX 460
BATTLE CREEK, MICHIGAN 49016-0460
1-800-537-9940 (U.S.)
©COPYRIGHT BURR ENGINEERING COMPANY 1992

PAGE: 3 OF 12	DATE: 3 MAY 05	FORM #: 20803
REVISION LETTER: D	ECN#: 12518	APPROVED:

OWNER'S MANUAL MOBILE LIFT

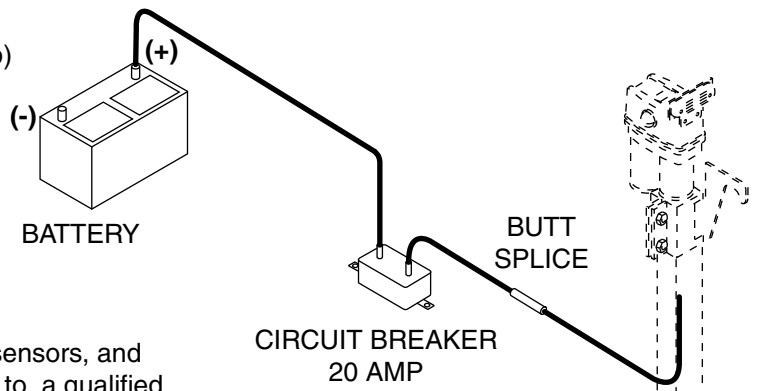
5. INSTALL GUARDS:

- Glue plastic guards (17) to platform (13).
- Trim around platform (13) locking notch.
- Peel off protective film on guards.



6. POWERHEAD WIRING:

- Use crimp or solder connections
- Connect batter's positive terminal to circuit breaker (20 amp) with 10 gage wire or larger.
- Connect circuit breaker to powerhead with 10 gage wire or larger and butt splice.

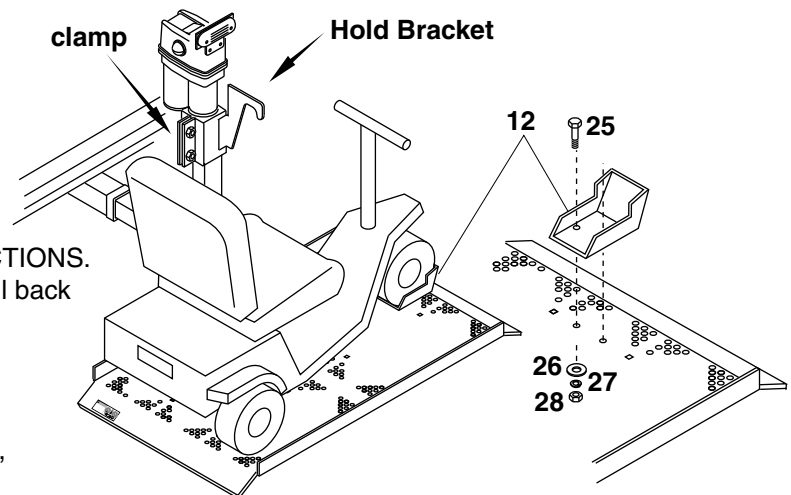


BRAKE LIGHT WIRING:

Due to the different wiring designs used in today's vehicles (single brake light, combined brake light/ turn signals, logic sensors, and computer boards), it is recommended you take your vehicle to a qualified hitch installer for correct brake light wiring.

7. HOLD BRACKET ADJUSTMENT:

- Fold platform up and hold
- Raise platform all the way up.
- Position "Hold Bracket" to hold platform in place and keep it from hitting powerhead,
- Tighten clamp



8. INSTALL WHEEL STOP:

- Lower platform to the ground--see OPERATING INSTRUCTIONS.
- Carefully drive scooter or chair onto center of platform until back wheels are on.
- Put wheel stop(s) (12) in place and mark its position.
- Drive scooter or chair off the platform.
- Align holes in wheel stop with holes in platform.
- Fasten wheel stop to platform with bolts (25), washers(26), lockwashers(27), and hex nuts (28).

9. INSTALL ANTI-SLIP FLOOR TREAD:

Put anti-slip tread strips in wheel path on platform ramp.



BURR ENGINEERING COMPANY
730 E. MICHIGAN AVENUE- P.O. BOX 460
BATTLE CREEK, MICHIGAN 49016-0460
1-800-537-9940 (U.S.)

©COPYRIGHT BURR ENGINEERING COMPANY 1992

PAGE:	DATE:	FORM #:
4 OF 12	10 AUG 04	20803
REVISION LETTER:	ECN#:	APPROVED:
C	12355	

OWNER'S MANUAL MOBILE LIFT

OPERATING INSTRUCTIONS:

The added length and weight of the Mobil-Lift, and a scooter or wheel chair, will effect how your vehicle handles. It will be more sensitive on slippery roads or in a cross wind.

Adjust you driving style to match conditions. Drive slow until you become familiar with how the vehicle handles when turning and backing up. Plan for turns, stops, and lane changes well in advance. Avoid slippery conditions, (i.e.-ice, snow, and loose gravel). Reduce speed on rough surfaces and going up or down slopes, (i.e.- driveways). Check straps often. Remember added overall length when backing up, parking, etc.

Operators must become familiar with all controls and procedures. Understand what the Mobile-Lift can do and its limits. Practice using it safely.

These safety labels are on the Mobile-Lift. Know where they are; read, understand, and obey them.

WARNING

Avoid serious injury, or death, to yourself and others. Follow these instructions:

- Read and understand OPERATOR'S INSTRUCTIONS before using MOBILE-LIFT.
- Transporting vehicle must be safely parked, on a flat level surface, when loading and unloading scooter.
- Keep body, hands, and feet away from shearing / squeezing points.
- When transporting, scooter must be secured to platform with straps and platform must be all the way up. Check straps often, they must be tight.
- When scooter is not on platform, platform must be secured all the way up in the hold bracket.
- NO RIDERS on platform.
- Do not overload platform. Maximum capacity 300 lbs.

19991-A

INSPECTION:

Before using the Mobile-Lift, the user must inspect it completely to insure safe operation:

- * **Actuator, platform, and frame-**
Look at their condition, check for: cracked or broken parts, loose or missing fasteners
- * **Rocker Switch-**
Must work freely and return to neutral when released.
- * **Tires (transport Vehicle)-**
Tires msut be in good condition. Check tire pressure, Tires must be inflated to recommended pressure.
- * **Straps-**
Must be in good condition and work properly.
- * **Brake lights-**
Must be in good condition and work properly
- * **Safety Labels-**
If safety labels are missing or unreadable, replace them immediately.

If the unit is unsafe or in need of repair, do not use it until it is returned to a safe operating condition.

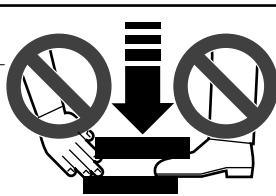
!!!IMPORTANT NOTICE!!!

DO NOT install the Mobile-Lift on the rear of "towed" vehicles. This includes travel trailers, 5th Wheels, etc. The excessive shock loading that occurs in this location is not compatible with the Mobile-lift design. The Mobile-Lift warranty is void when a unit is installed in this manner

WARNING

Don't risk serious injury or death in a shearing or squeezing accident. Keep body, hands, and feet away

19989



WARNING

MAXIMUM WEIGHT: 300 LBS

If maximum weight is exceeded, the design modified, or the unit is installed in a way contrary to manufacturer's instructions the warranty is void and catastrophic failure may occur. This could result in serious injury or death.

29234



BURR ENGINEERING COMPANY
730 E. MICHIGAN AVENUE- P.O. BOX 460
BATTLE CREEK, MICHIGAN 49016-0460
1-800-537-9940 (U.S.)

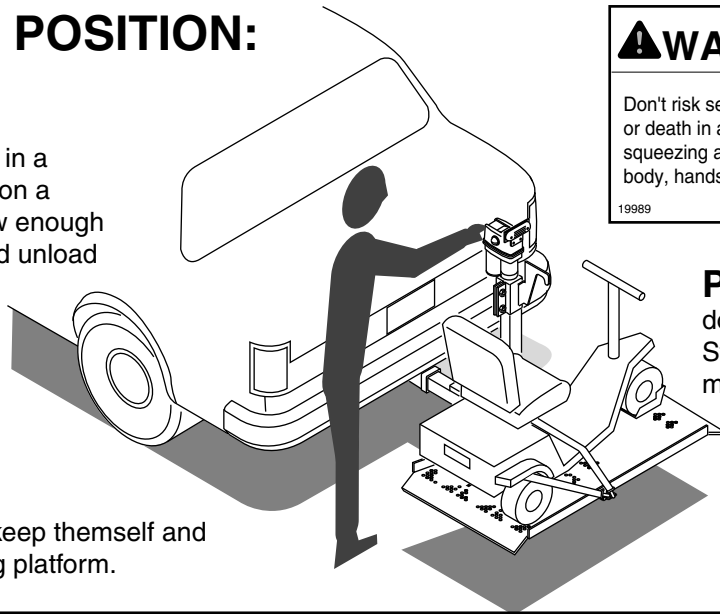
©COPYRIGHT BURR ENGINEERING COMPANY 1992

PAGE:	DATE:	FORM #:
5 OF 12	10 AUG 04	20803
REVISION LETTER:	ECN#:	APPROVED:
C	1255	

OWNER'S MANUAL MOBILE LIFT

OPERATING POSITION:

VEHICLE must be in a safely parked position on a flat level surface. Allow enough room to safely load and unload scooter or wheel chair.

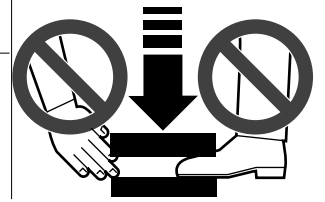


OPERATOR must keep themselves and others away from moving platform.

WARNING

Don't risk serious injury or death in a shearing or squeezing accident. Keep body, hands, and feet away.

19989



PLATFORM must be all the way down to load scooter or wheel chair. Stay away from curbs, steps, etc. that may cause the platform to tip.

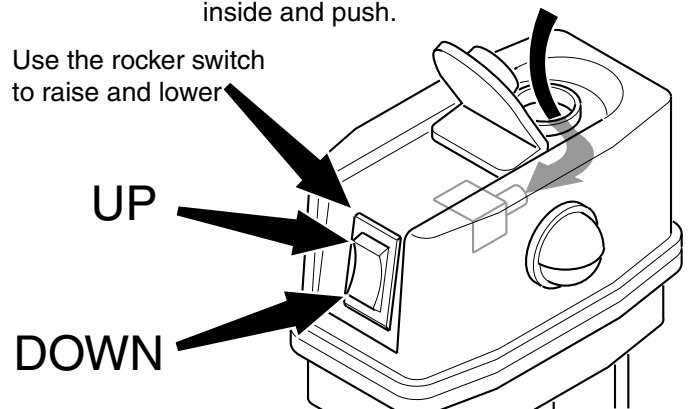
OPERATION (ELECTRICAL)

When the powerhead reaches the end of its travel (either raising or lowering), a built in torque limiter goes into operation with a clicking noise.

This torque limiter permits the final drive gear to slip; and thus, protects the unit
PROLONGED OPERATION OF THE TORQUE LIMITER IS NOT RECOMMENDED.

The "night lights" are controlled by a switch under the big cover. Flip up the cover, reach inside and push.

Use the rocker switch to raise and lower



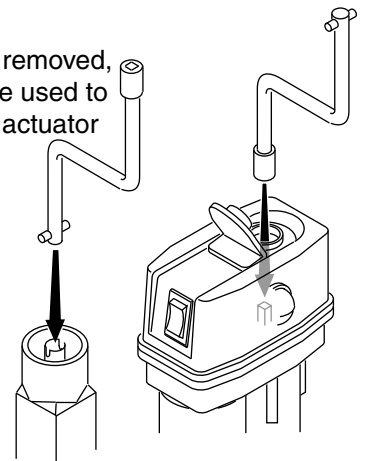
OPERATION (MANUAL)

If an electrical failure should occur, the emergency handle may be inserted into the actuator post and the actuator can be raised and lowered.

If powerhead is removed, crank can still be used to raise and lower actuator

WARNING

WHEN CRANK HANDLE IS BEING USED, DO NOT PUSH ROCKER SWITCH



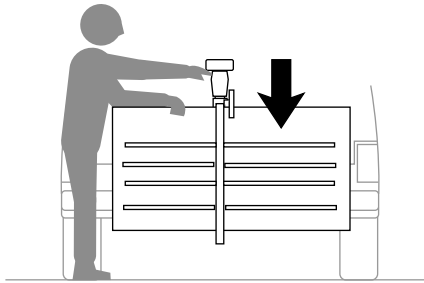
BURR ENGINEERING COMPANY
 730 E. MICHIGAN AVENUE- P.O. BOX 460
 BATTLE CREEK, MICHIGAN 49016-0460
 1-800-537-9940 (U.S.)
 ©COPYRIGHT BURR ENGINEERING COMPANY 1992

PAGE:	DATE:	FORM #:
6 OF 12	10 AUG 04	20803
REVISION LETTER:	ECN#:	APPROVED:
B	12355	

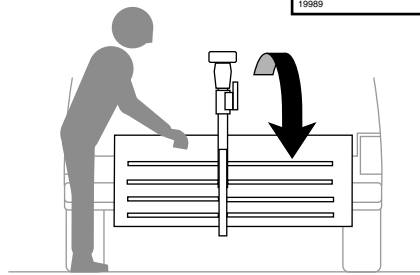
OWNER'S MANUAL MOBILE LIFT

LOADING:

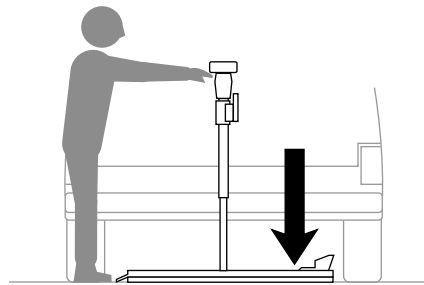
<p>WARNING</p> <p>Don't risk serious injury or death in a shearing or squeezing accident. Keep body, hands, and feet away</p> <p><small>19989</small></p>	



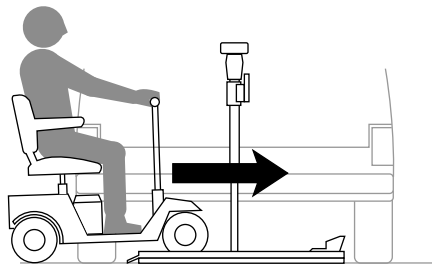
1. Hold platform and lower until Holding Bracket is clear.



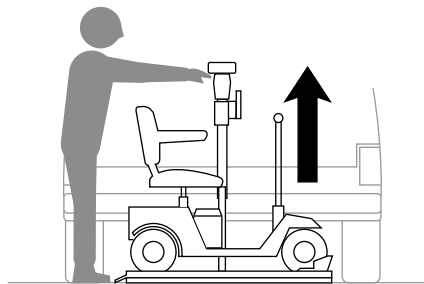
2. Fold platform down, **DO NOT DROP!**



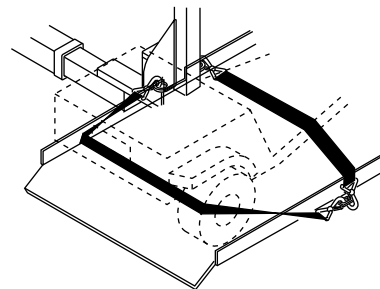
3. Lower platform to the ground. **KEEP FEET AWAY!**



4. Drive scooter or wheel chair onto platform to wheel stop. Stay in center.



5. Raise platform until scooter floor or wheel chair seat is even with hitch rings.



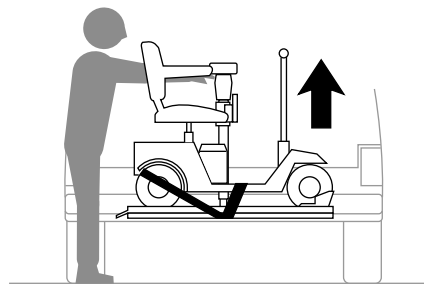
6. Secure scooter or wheel chair with: **NARROW STRAP:**

- connect to platform ring
- route over rear tires
- connect to left hitch ring

WIDE STRAP:

- connect to platform ring
- route over scooter or wheel chair seat
- connect to right hitch ring

Adjust both straps snugly, **DO NOT OVER TIGHTEN**



7. Raise platform all the way up. Straps will tighten. Stop raising when platform is all the way up. Unit is ready for travel. When driving loaded vehicle, remember, be aware of the rear overhang.



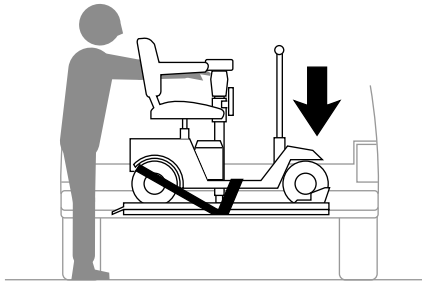
PAGE:	DATE:	FORM #:
7 OF 12	3 MAY 05	20803
REVISION LETTER:	ECN#:	APPROVED:
D	12518	

OWNER'S MANUAL MOBILE LIFT

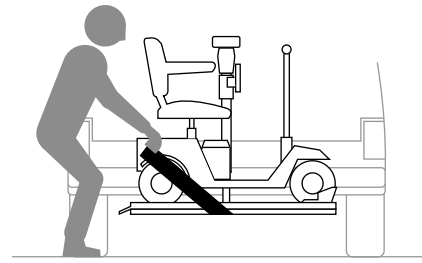
WARNING Don't risk serious injury or death in a shearing or squeezing accident. Keep body, hands, and feet away. <small>19989</small>	
----------------------------------------------------------------------------------------------------------------------------------------------------	------------------------------------------------------------------------------------

UNLOADING:

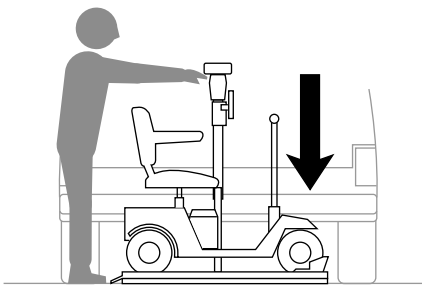
NOTE: When scooter is not on platform, platform must be secured all the way up in the hold bracket



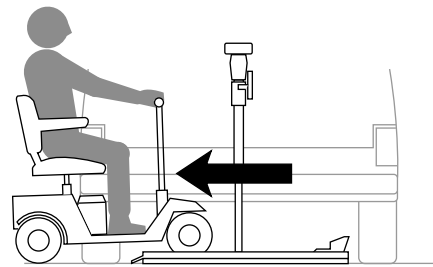
1. Lower platform until scooter floor or wheel chair seat is even with hitch rings.



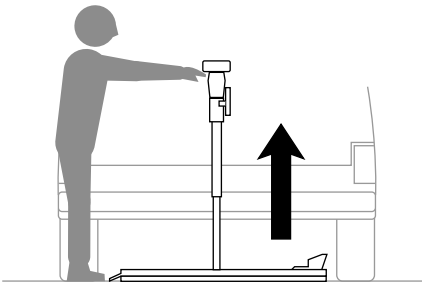
2. Remove the store straps



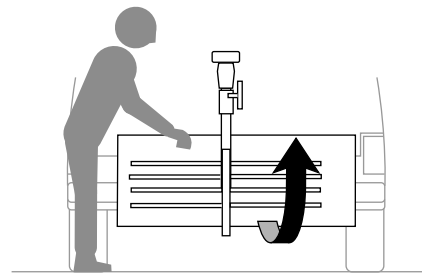
3. Lower platform to ground. Keep feet away.



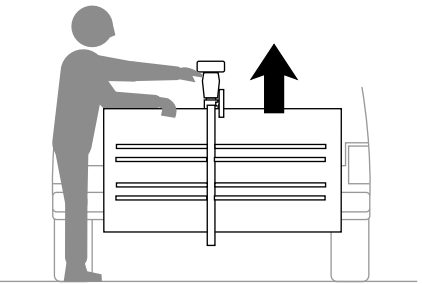
4. Drive scooter or wheel chair off platform. Stay in the center.



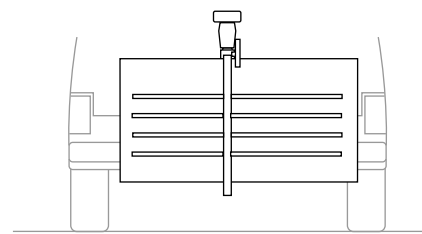
5. Raise platform 6 to 8 inches.



6. Fold platform up and hold.



7. Raise platform all the way up. Stop raising when platform is tight against Hold Bracket.



8. Unit is ready to travel.



BURR ENGINEERING COMPANY
730 E. MICHIGAN AVENUE- P.O. BOX 460
BATTLE CREEK, MICHIGAN 49016-0460
1-800-537-9940 (U.S.)
©COPYRIGHT BURR ENGINEERING COMPANY 1992

PAGE: 8 OF 12	DATE: 3 MAY 05	FORM #: 20803
REVISION LETTER: D	ECN#: 12518	APPROVED:

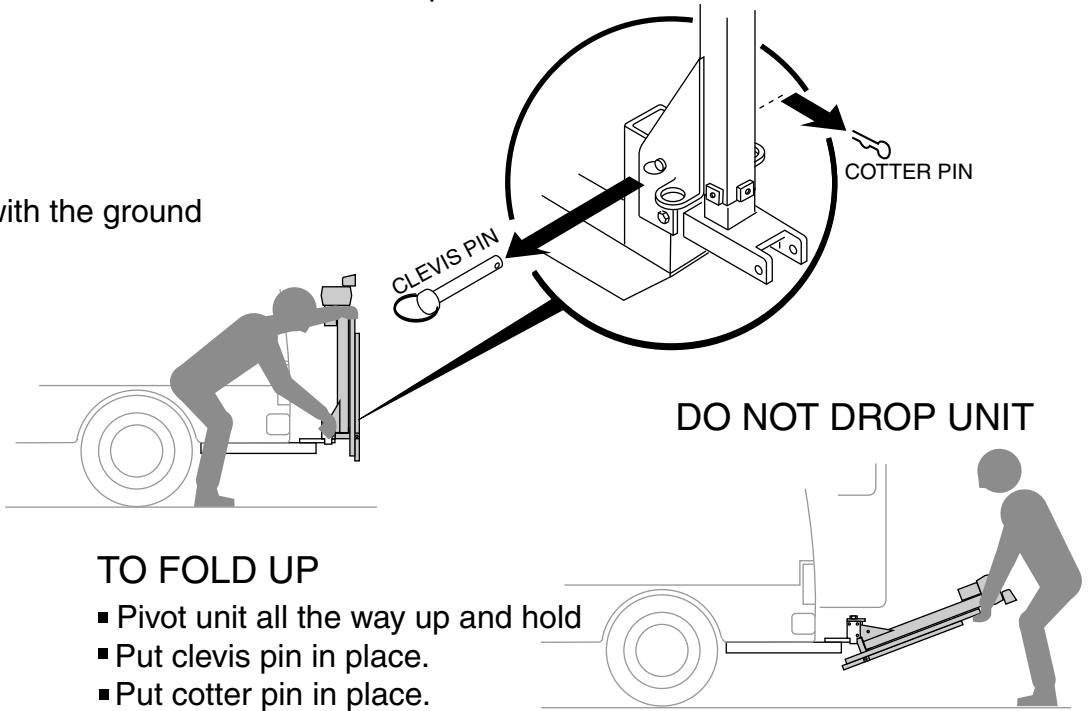
OWNER'S MANUAL MOBILE LIFT

FOLD UNIT DOWN for access to rear of vehicle, trucks, van cargo doors, ect.

IMPORTANT: Scooter or chair must be removed form platform.

TO FOLD DOWN

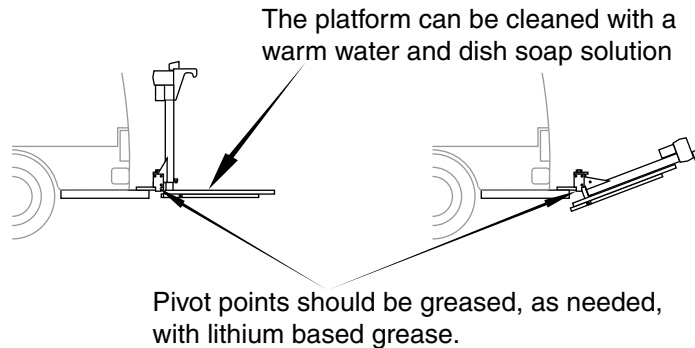
- Hold unit up.
- Remove cotter pin.
- Remove clevis pin.
- Pivot unit down, level with the ground



TO FOLD UP

- Pivot unit all the way up and hold
- Put clevis pin in place.
- Put cotter pin in place.

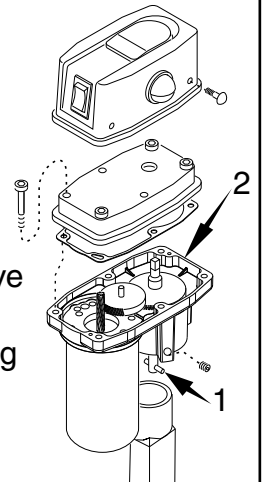
MAINTENANCE:



POWERHEAD:

1. Once a year, remove the powerhead and grease with lithium base grease applied directly to the coupling on which the drive pin rests. **DO NOT POUR OIL INTO TOP OF ACTUATOR.**

2. Once a year, remove the housing cover and inspect for proper lubrication. Remove 4 screws and tap around edges of housing to free the cover. **DO NOT** insert screw driver blade, this may damage mating surfaces. Before replacing cover, clean mating surfaces. If lubrication is needed, use lithium gear grease.

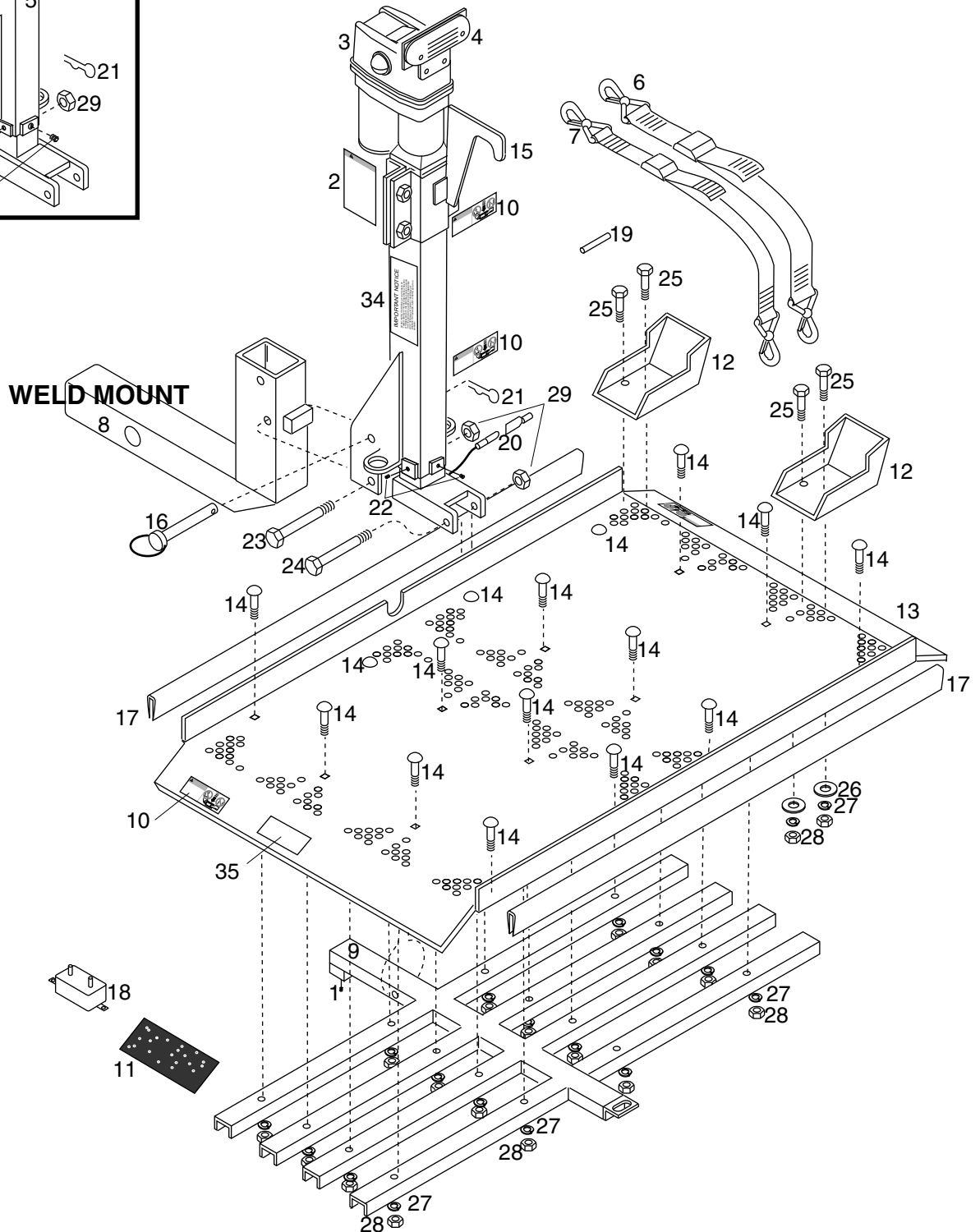
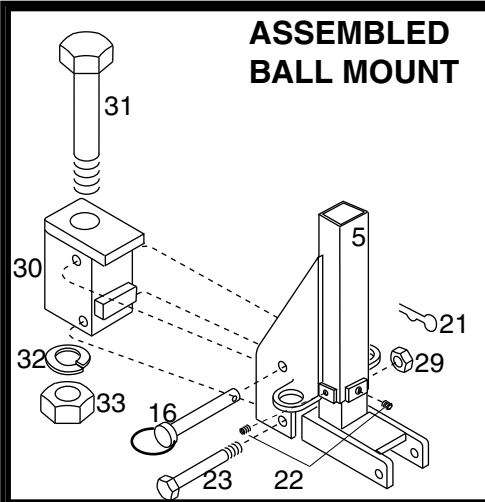


BURR ENGINEERING COMPANY
730 E. MICHIGAN AVENUE- P.O. BOX 460
BATTLE CREEK, MICHIGAN 49016-0460
1-800-537-9940 (U.S.)
©COPYRIGHT BURR ENGINEERING COMPANY 1992

PAGE:	DATE:	FORM #:
9 OF 12	15 DEC 04	20803
REVISION LETTER:	ECN#:	APPROVED:
C	12355	

OWNER'S MANUAL MOBILE LIFT

MOBILE LIFT PARTS:



BURR ENGINEERING COMPANY
 730 E. MICHIGAN AVENUE- P.O. BOX 460
 BATTLE CREEK, MICHIGAN 49016-0460
 1-800-537-9940 (U.S.)
 ©COPYRIGHT BURR ENGINEERING COMPANY 1992

PAGE: 10 OF 12	DATE: 3 MAY 05	FORM #: 20803
REVISION LETTER: D	ECN#: 12518	APPROVED:

OWNER'S MANUAL MOBILE LIFT

MOBILE LIFT PARTS:

ITEM	PART#	QTY	DESCRIPTION
1	608-0001	1	5/16-18 X 1" SET SCREW
2	19991	1	LABEL, WARNING- INSTRUCTION
3	18678	1	POWERHEAD
4	24918	1	BRAKE LIGHT ASSEMBLY
5	25885	1	POST ASSEMBLY (24") OR
5	25863	1	POST ASSEMBLY (18")
6	19491	1	STRAP, 2" WIDE
7	19522	1	STRAP, 1" WIDE
8	19494	1	WELD MOUNT
9	20065	1	SUPPORT WELDMENT OR
9	24780	1	BIG TRAY SUPPORT WELDMENT
10	19989	4	LABEL, WARNING- SHEAR/SQUEEZE
11	21065	3	ANTI-SLIP FLOOR TREAD
12	19513	2	WHEEL STOP
13	20078	1	PLATFORM OR
13	24784	1	BIG TRAY PLATFORM
14	600-0009	16	BOLT, SQUARE NECK
15	25860	1	HOLD BRACKET ASSEMBLY
16	643-0005	1	CLEVIS PIN
17	19520	2	PLASTIC GUARD
18	741-0031	1	CIRCUIT BREAKER (20 AMPS)
19	742-0042	1	BUTT SLICE
20	742-0047	1	FEMALE TERMINAL(PINK)
21	625-0004	1	HAIR PIN COTTER
22	608-0004	2	5/16-18 X 5/16 SET SCREW
23	600-0005	1	BOLT (1/2 -13 X 3 3/4)
24	23214	1	BOLT (1/2-13 X 4 1/2)
25	23213	4	BOLT (1/4-20)
26	617-0018	4	WASHER (1/4")
27	618-1007	20	LOCKWASHER (1/4")
28	610-0007	20	HEX NUT (1/4")
29	611-0002	2	LOCKNUT (1/2-13)
30	25870	1	BALL MOUNT WELDMENT
31	600-0010	1	BOLT (1 1/2 X 6 1/2)
32	618-1001	1	LOCKWASHER (1")
33	610-0010	1	HEX NUT (1-12)
34	28380	1	IMPORTANT NOTICE
35	29234	1	LABEL, RESTRICTION WARNING

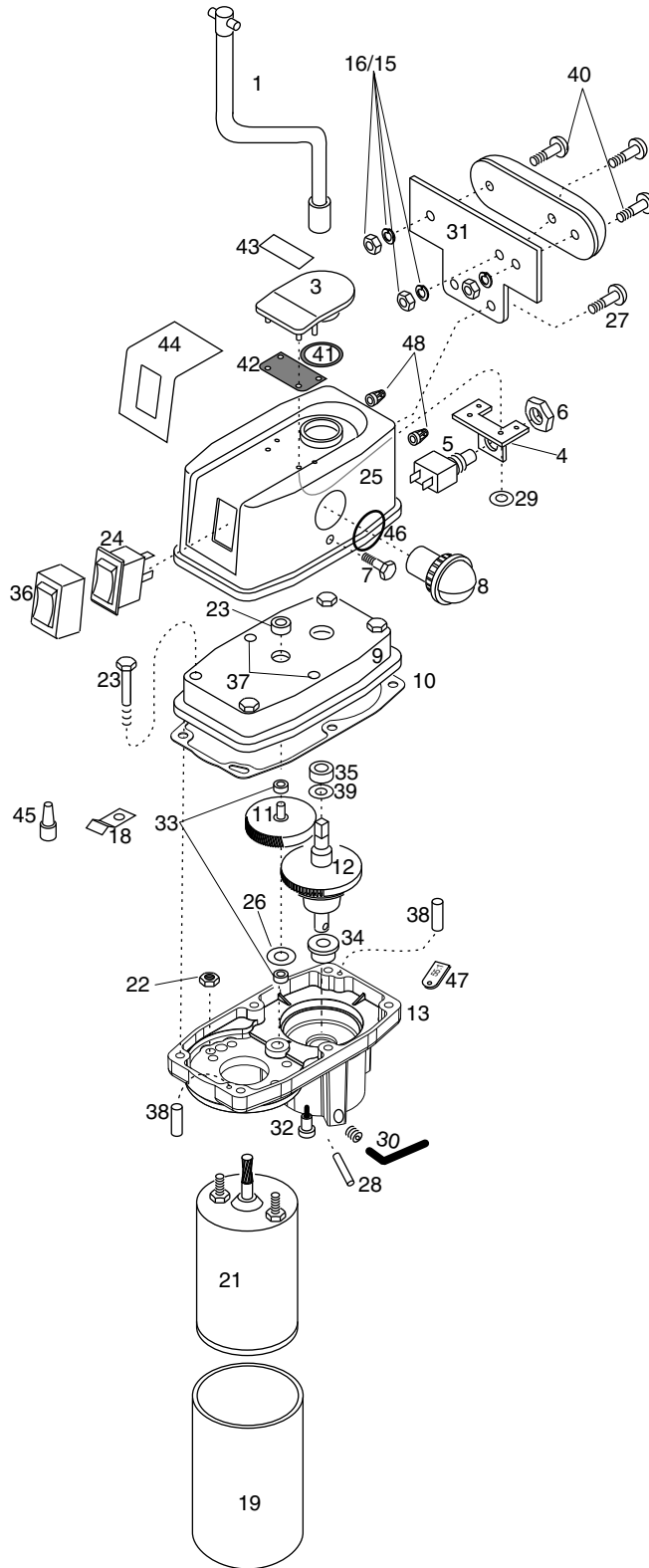


BURR ENGINEERING COMPANY
730 E. MICHIGAN AVENUE- P.O. BOX 460
BATTLE CREEK, MICHIGAN 49016-0460
1-800-537-9940 (U.S.)
©COPYRIGHT BURR ENGINEERING COMPANY 1992

PAGE:	DATE:	FORM #:
11 OF 12	3 MAY 05	20803
REVISION LETTER:	ECN#:	APPROVED:
D	12518	

OWNER'S MANUAL MOBILE LIFT

POWERHEAD PARTS:



ITEM	PART#	QTY.	DESCRIPTION
1	21047	1	CRANK HANDLE
2	603-5009	1	MACHINE SCREW (#10 X 3/4)
3	17426	1	CAP
4	17424	1	SWITCH PLATE
5	738-0010	1	LIGHT SWITCH
6		1	NUT(SUPPLIED WITH ITEM 5)
7	606-0001	2	SCREW #8 X 1/4 TYPE T-23 (BLACK)
8	757-0030	2	NIGHT LIGHT (*)
9	17419	1	UPPER HOUSING
10	29306	1	GASKET
11	22012	1	DRIVE GEAR ASSEMBLY
12	23623	1	TORQUE LIMITER ASSEMBLY
13	28776	1	LOWER HOUSING (BLACK)
14	608-0006	3	SET SCREW
15	618-1009	5	SPLIT LOCKWASHER (#10)
16	610-1021	3	HEX NUT (#10)
17	21066	1	BRAKE LIGHT (**)
18	17808	1	WIRE CLAMP
19	18843	1	MOTOR SLEEVE (BLACK)
20	26236	1	RUBBER GROMMET
21	16263	1	ELECTRIC MOTOR
22	611-2100	2	HEX LOCKNUT
23	605-0012	4	SCREW (1/4-20 X 1 1/2)
24	738-0030	1	ROCKER SWITCH
25	19489	1	COVER (BLACK)
26	80208	1	WASHER, SPACER
27	602-0023	2	MACHINE SCREW (#10-24 X 1")
28	623-1216	1	GROOVE PIN
29	641-0004	4	STUD RECIEVER
30	636-0000	1	HEX KEY 5/32"
31	24315	1	BRAKE LIGHT BRACKET
32	80504	1	SNAP BUSHING
33	80501	2	BUSHING
34	645-0024	1	FLANGE BUSHING
35	641-0009	1	BUSHING
36	22414	1	SWITCH SEAL
37	16434	2	HOLE PLUG
38	621-0004	2	1/8 X 3/4 DOWEL
39	617-0009	1	THRUST WASHER
40	603-5003	2	MACHINE SCREW (#10 X 1/2)
41	22207	1	CAP HOLE GASKET
42	22204	1	REAR CAP GASKET
43	17728	1	CAP LABEL
44	21791	1	COVER LABEL
45	759-0026	2	WIRE CRIMP NUT
46	22206	2	LIGHT GASKET
47	26351	1	I.D. TAG
48	610-0020	2	JACK NUT

WIRE ASSEMBLY (NOT SHOWN)

24567	1	GROUND WIRE ASSEMBLY
19521	1	CORD CASTING 4 FT.
17878	1	7" TERMINAL ASSEMBLY
18959	1	WHITE WIRE ASSEMBLY
17834	1	3 1/2" TERMINAL ASSEMBLY

(*)=NIGHT LIGHT BULB REPLACEMENT #67-SJ4
 (**)=BRAKE LIGHT BULB REPLACEMENT #GE-193



BURR ENGINEERING COMPANY
 730 E. MICHIGAN AVENUE- P.O. BOX 460
 BATTLE CREEK, MICHIGAN 49016-0460
 1-800-537-9940 (U.S.)
 ©COPYRIGHT BURR ENGINEERING COMPANY 1992

PAGE:	DATE:	FORM #:
12 OF 12	15 DEC 04	20803
REVISION LETTER:	ECN#:	APPROVED:
C	12355	