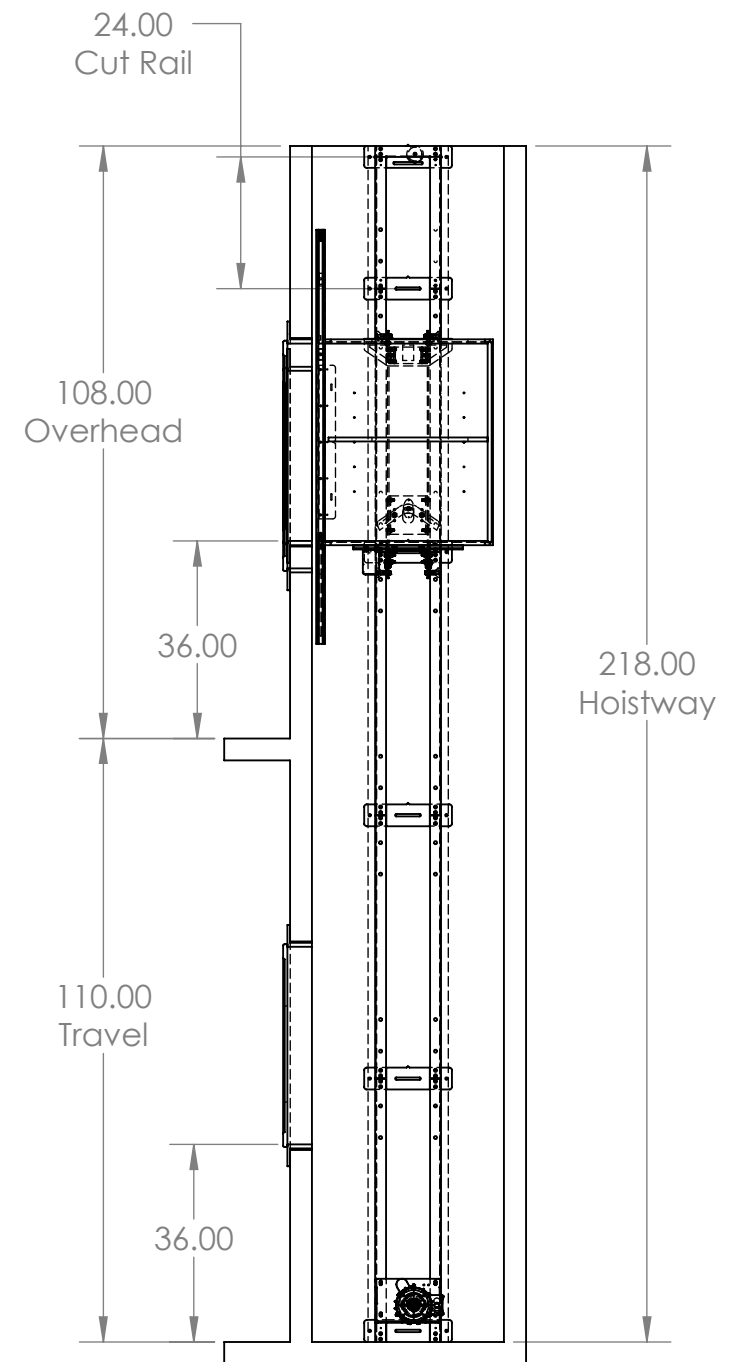
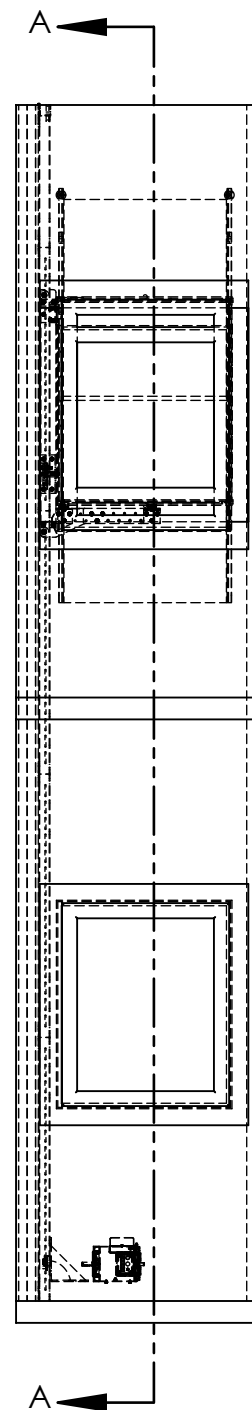
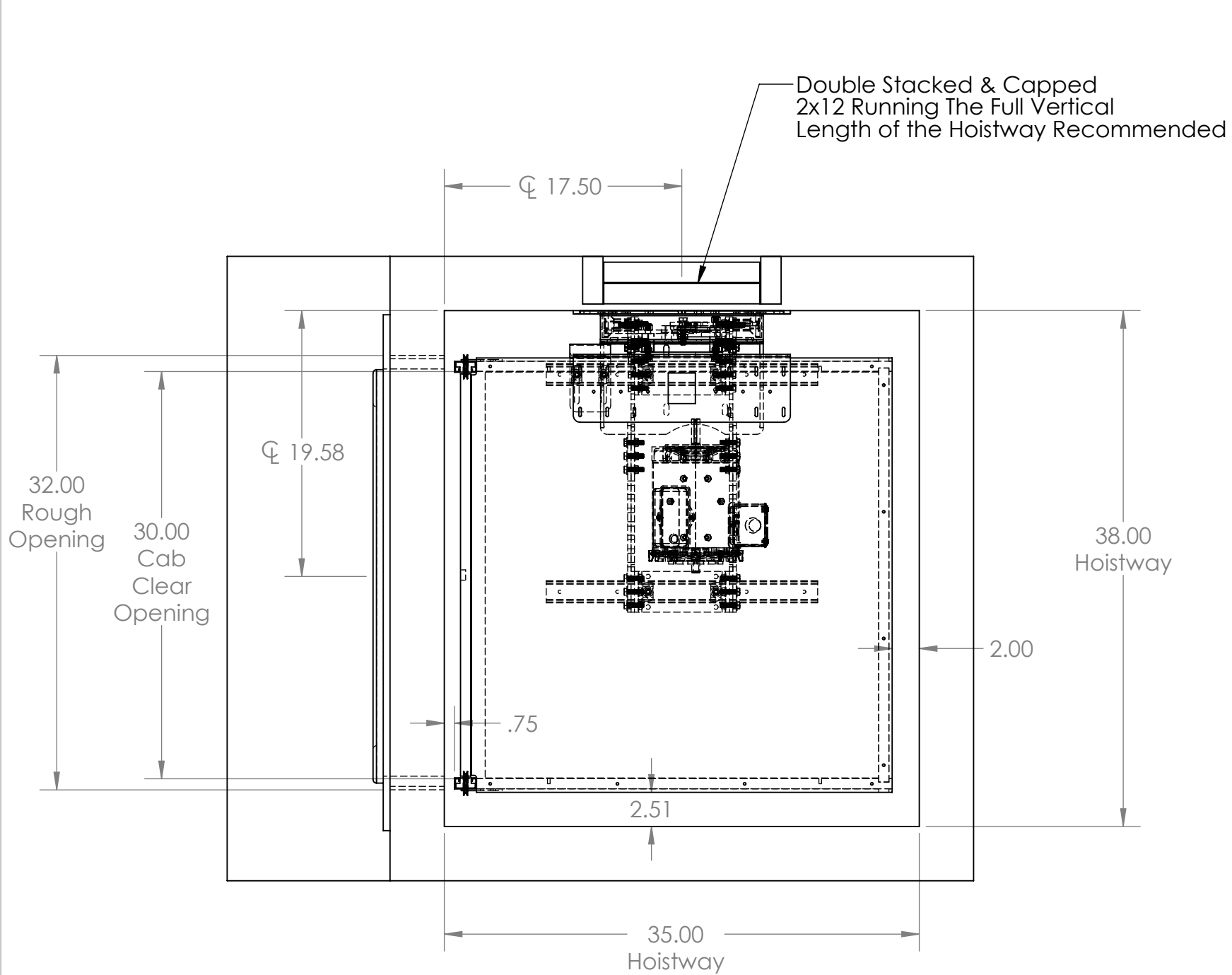


QS-200 Specifications

MODEL		QS-200
CAPACITY		300lbs
SPEED		32 FPM (Nominal)
DRIVE		SPROCKET DRIVEN GEAR MOTOR
DOOR LOCKS		HONEYWELL RELIALIGN ELECTROMECHANICAL INTERLOCKS
OPERATION		AUTOMATIC OPERATION, MANUAL DOORS
FINISH		Stainless Steel
ELECTRICAL REQUIREMENTS		CONTROLLER COMES EQUIPPED WITH A 120VAC PLUG/PIGTAIL. REQUIRES A DEDICATED CIRCUIT, 120VAC, 15AMP OUTLET WITHIN SIGHT OF THE LIFT. FOR JURISDICTIONS WHICH REQUIRE THE CONTROLLER TO BE HARDWIRED, HARD WIRE INTO APPROPRIATE DISCONNECTING MEANS.
CONTROL SYSTEM		PLC, RELAY, PLUG'N'PLAY FIELD WIRING
CODE		AMSE 17.1.7



	Cab Size	30 x 30 x 36	Stainless Steel	Single Opening	DO NOT SCALE DRAWING		NAME	DATE	PROJECT NAME
	RH Locks	2	Bottom Mount	300lbs		DRAWN	JCE	3/23/20	PROJECT LOCATION
	LH Locks	0	Doors & Frames BY OTHERS	Gate Switch on Car Gate		APPROVAL STATUS:	PROPRIETARY AND CONFIDENTIAL		
	Machine Access Door - Kill Switch					APPROVED	THE INFORMATION CONTAINED IN THIS DRAWING IS THE SOLE PROPERTY OF PRECISION LIFT INDUSTRIES, LLC. ANY REPRODUCTION IN PART OR AS A WHOLE WITHOUT THE WRITTEN PERMISSION OF PRECISION LIFT INDUSTRIES, LLC IS PROHIBITED.		
					APPROVED AS NOTED	REVISE AND RESUBMIT			
						SCALE 1:16	SIZE A	DWG. NO.	REV.
									SHEET 1 OF 4



SECTION A-A
SCALE 1 : 35

Recommend Front Face of Hoistway Open for Installation



Cab Size	30 x 30 x 36	Stainless Steel	Single Opening
RH Locks	2	Bottom Mount	300lbs
LH Locks	0	Doors & Frames BY OTHERS	Gate Switch on Car Gate
Machine Access Door - Kill Switch			

DO NOT SCALE DRAWING	NAME	DATE	PROJECT NAME
	JCE	3/23/20	
APPROVAL STATUS:	PROJECT LOCATION		COMMENTS:
APPROVED			
APPROVED AS NOTED			
REVISE AND RESUBMIT			
SIGNATURE	SCALE 1:16		SHEET 2 OF 4

PROPRIETARY AND CONFIDENTIAL
THE INFORMATION CONTAINED IN THIS DRAWING IS THE SOLE PROPERTY OF PRECISION LIFT INDUSTRIES, LLC. ANY REPRODUCTION IN PART OR AS A WHOLE WITHOUT THE WRITTEN PERMISSION OF PRECISION LIFT INDUSTRIES, LLC IS PROHIBITED.

SIZE DWG. NO. **A** REV. SCALE 1:16 SHEET 2 OF 4